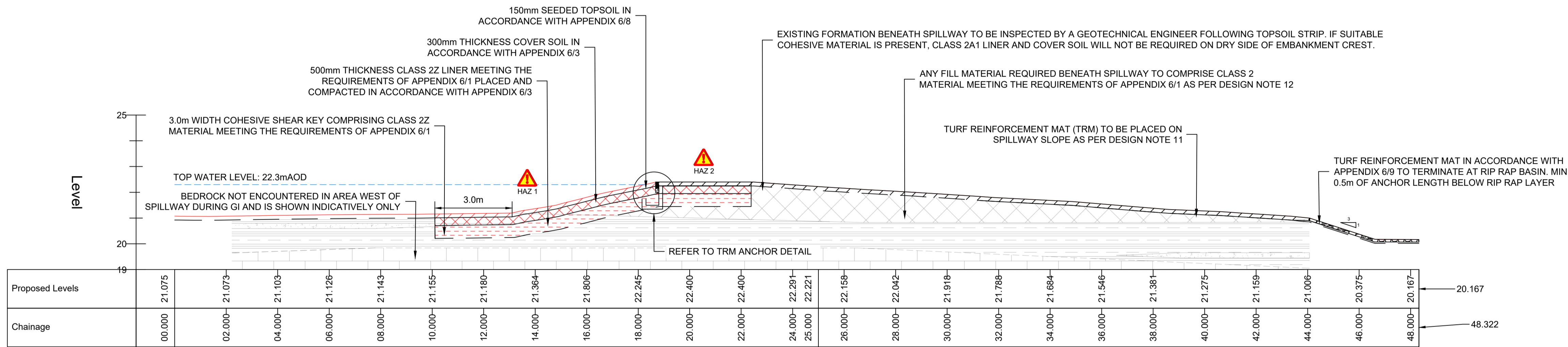
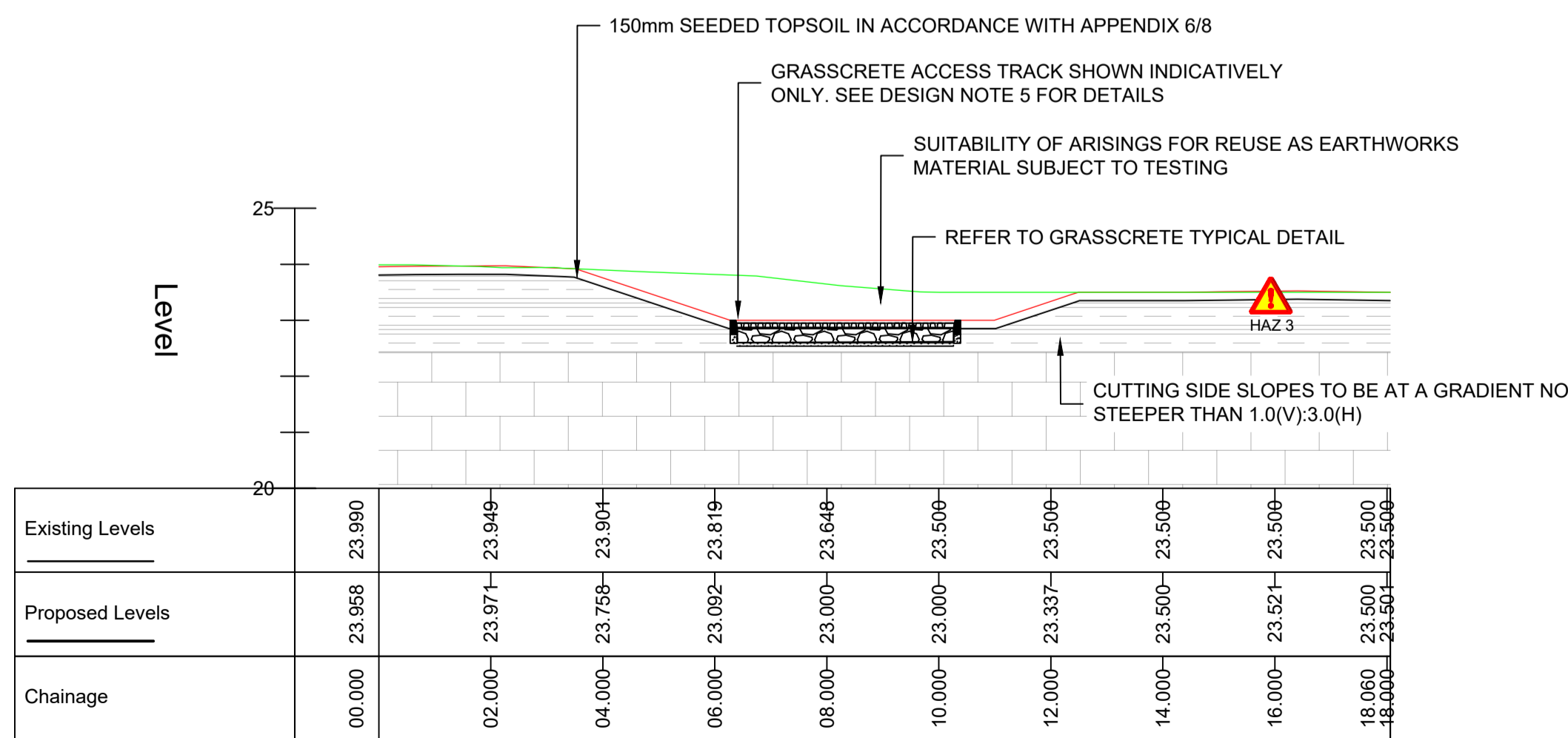


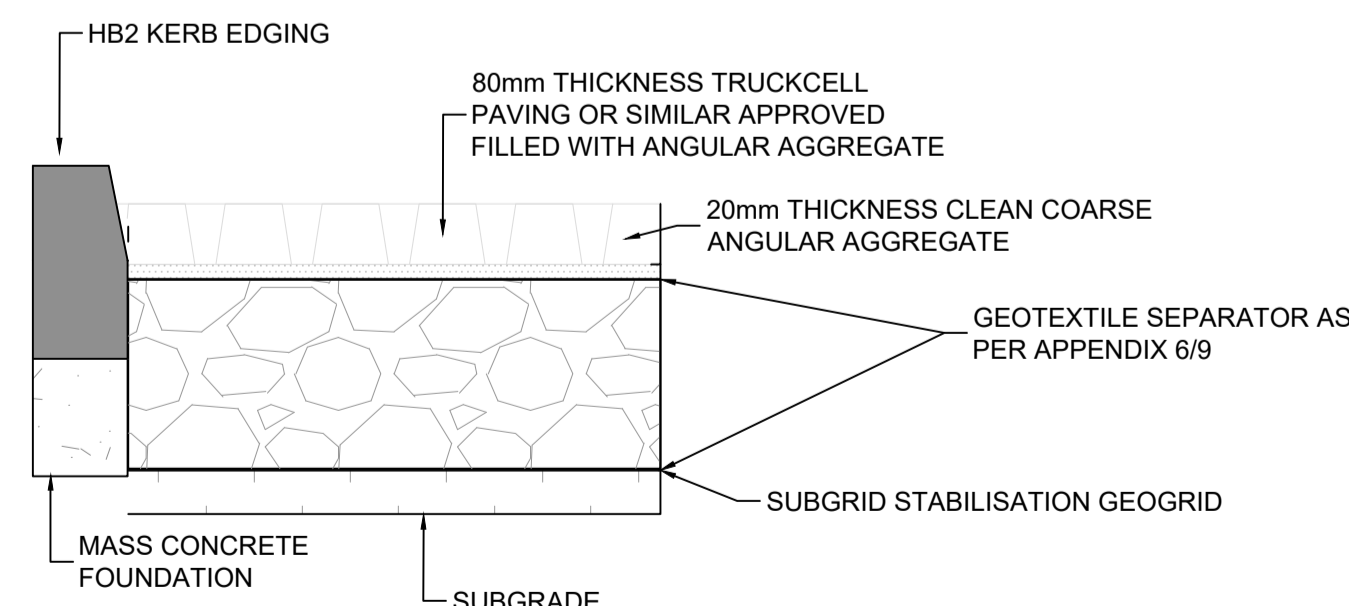
**SECTION A - A' - EMBANKMENT**  
1:100 SCALE



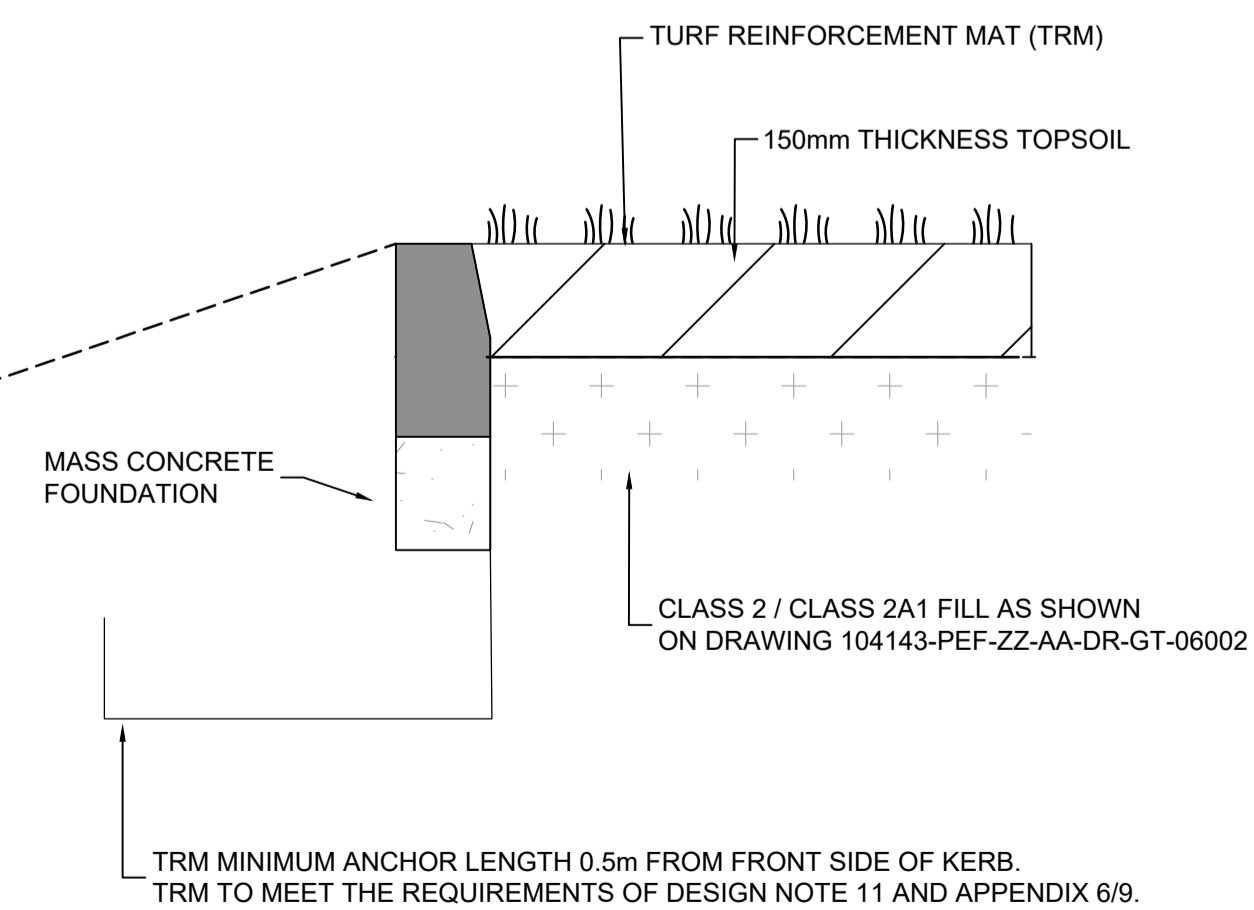
**SECTION B - B' - SPILLWAY**  
1:100 SCALE



**SECTION C-C' - ACCESS TRACK**  
1:100 SCALE



**TRUCKCELL DETAIL**  
1:10 SCALE - REFER TO DRAWING 104143-PEF-ZZ-CC-DR-C-0006



**TRM ANCHOR DETAIL**  
1:10 SCALE - REFER TO DRAWING 104143-PEF-ZZ-CC-DR-C-0006

**GENERAL NOTES:**

1. ORIGINAL DRAWING IS IN COLOUR.
2. ALL DIMENSIONS ARE IN METRES (m) UNLESS OTHERWISE STATED. ALL LEVELS ARE IN METRES ABOVE ORDNANCE DATUM (m AOD). DIMENSIONS ARE TO BE CHECKED AND CONFIRMED ON SITE PRIOR TO CONSTRUCTION.
3. DO NOT SCALE FROM THIS DRAWING. IN CASE OF DOUBTS, ERRORS OR OMISSIONS SEEK IMMEDIATE CLARIFICATION FROM THE DESIGNER.
4. SEE DRAWING 104143-PEF-ZZ-AA-DR-GT-06001 FOR DESIGN NOTES AND DETAILS OF HAZARDS AND CONTROL MEASURES.
5. THIS DRAWING IS TO BE READ IN CONJUNCTION WITH THE FOLLOWING DRAWINGS:
  - 104143-PEF-ZZ-AA-DR-GT-06001 EARTHWORKS NOTES SHEET AND
  - 104143-PEF-ZZ-AA-DR-GT-06002 EARTHWORKS PLAN SHEET.

**KEY**

- EXISTING GROUND LEVEL
- PROPOSED GROUND LEVEL
- PROPOSED WATER LEVEL

**GEOLOGY KEY (REFER TO DESIGN NOTE 13)**

- MADE GROUND
- COHESIVE SUPERFICIAL DEPOSITS
- GRANULAR SUPERFICIAL DEPOSITS
- LIMESTONE/SILTSTONE

**EARTHWORKS KEY**

- TOPSOIL (150mm THICKNESS)
- COVER SOIL / CLASS 4 LANDSCAPE FILL (300mm THICKNESS)
- CLASS 2Z COHESIVE LINER (500mm THICKNESS)
- CLASS 2 GENERAL COHESIVE FILL

REV	DESCRIPTION	DRN	CHK	APP	DATE
-----	-------------	-----	-----	-----	------

**Pell Frischmann**

GEORGE HOUSE, GEORGE STREET, WEST YORKSHIRE, WF1 1LY  
Telephone +44 (0)192 438 8145  
Email: pfwakefield@pellfrischmann.com  
www.pellfrischmann.com



**REDBOURNE SURFACE WATER FLOOD ALLEVIATION SCHEME**

**FLOOD STORAGE AREA EARTHWORKS SECTIONS**

DRAFT FOR REVIEW

Drawn	A. HOLLAND	27/08/2021	Status Code	S3
Designed	A. HOLLAND	27/08/2021	Scale	AS SHOWN @ A1
Eng Chk	M. LIVESSEY	18/10/2021	Revision	00
Approved	N. DEWELL	20/10/2021		

104143-PEF-ZZ-AA-DR-GT-06003